

# PASSENGER HAND HOLD KIT

## KIT P/N 2877480



### Application

Victory Cross Roads™; Victory Cross Country™

Before you begin, read these instructions and check to be sure all parts and tools are accounted for. Please retain these installation instructions for future reference and parts ordering information.

### This kit includes:

Qty.	Part Description	Part No.
8	6 mm M6 Screw	7517783
4	25 mm M6 Screw	7517355
4	12 mm M6 Screw	7517479
4	M6 Nut	7547120
2	Support	-----
4	Spacer	-----
2	Bracket	-----
2	Grip	-----
1	Instructions	9922168

### Tools Required:

10 mm Wrench	Torque Wrench
4 mm Allen Wrench	4 mm Allen socket
4 mm Allen Socket Drive	

**NOTE:** Make sure the motorcycle kickstand is fully extended and vehicle is stabilized on a flat surface.

**IMPORTANT:** For your safety, and to ensure a satisfactory installation, perform all installation steps correctly in the sequence shown.

### INSTALLATION INSTRUCTIONS

1. Open the LH saddlebag lid.
2. Remove quarter turn fasteners and remove LH saddlebag from the bike.
3. Remove RH saddlebag by following Steps 1 and 2.
4. Store both saddlebags in a safe place

**CAUTION:** Care must be taken to prevent any paint damage on saddlebags.

5. Install support piece to saddlebag bracket using screw PN 7517783 and nut PN 7547120.
6. Install bracket to saddlebag bracket using screws PN 7517355, screws PN 7517479 and spacers provided in kit.
7. Install grip to bracket using screw PN 7517783.
8. Apply 84 in. lbs. (9.5 Nm) torque to all the fasteners.
9. Follow Steps 5-8 and install RH passenger hand hold.
10. Reinstall both saddlebags.

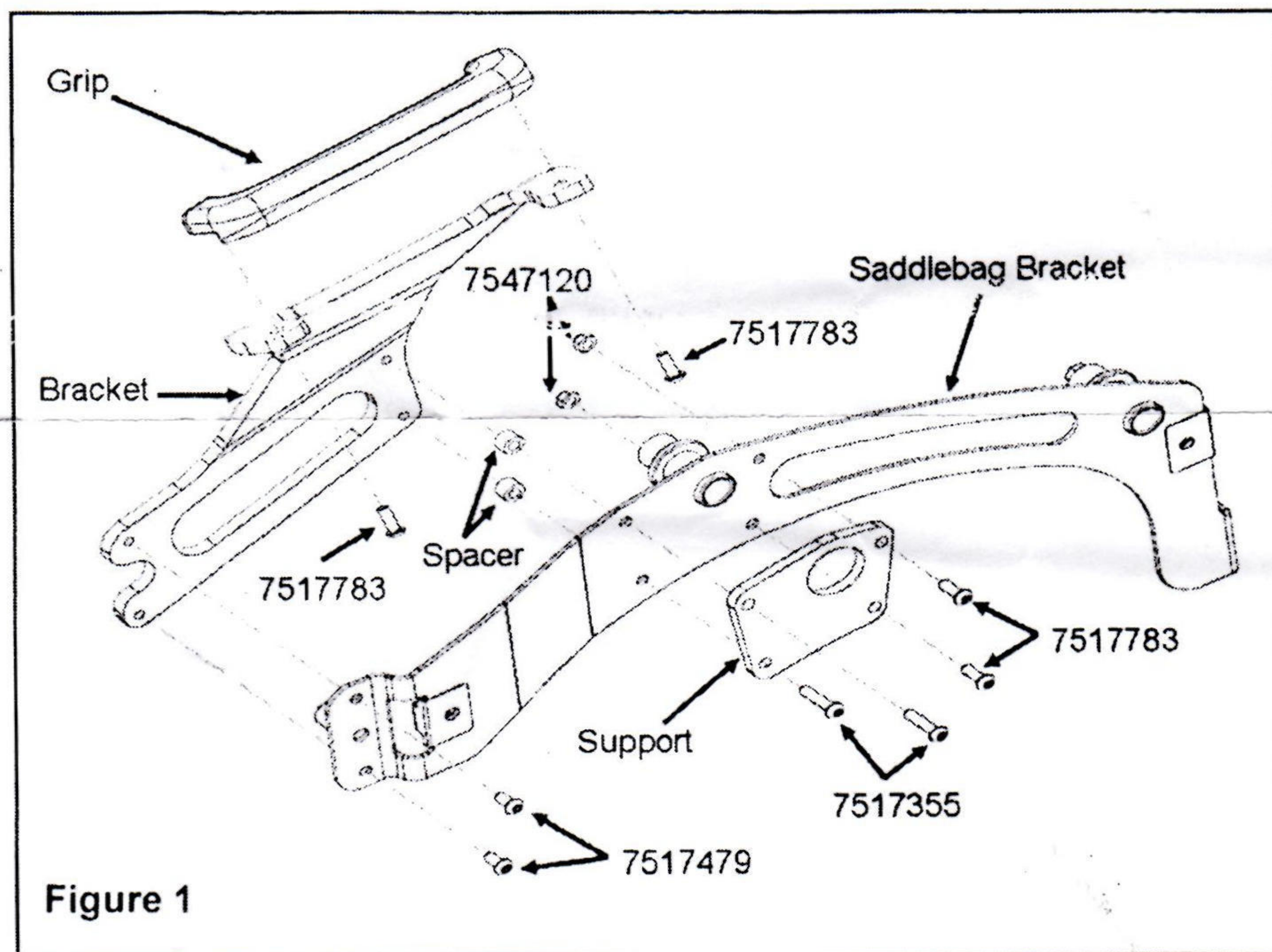


Figure 1